

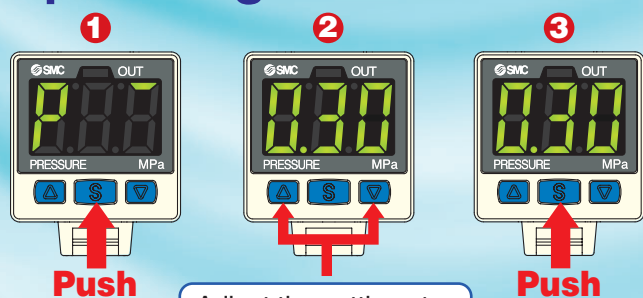
A pressure switch is integrated into the regulator.

2-color display digital pressure switch

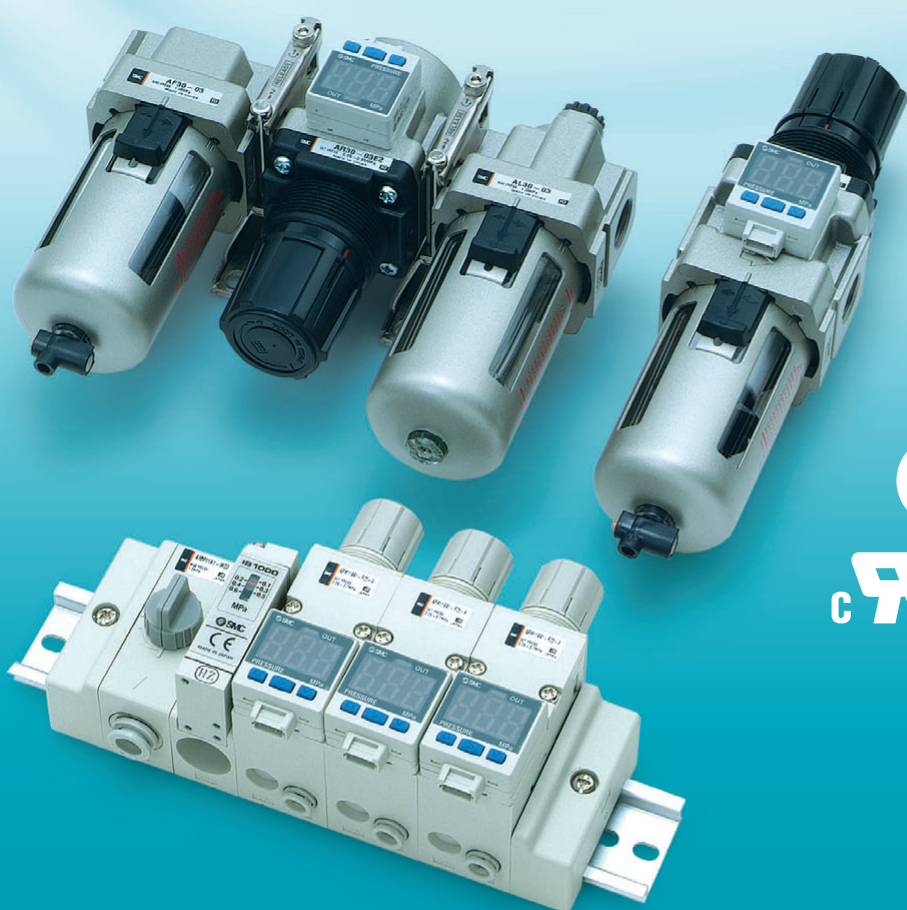
Able to identify errors at a glance



3-step settings



Adjust the settings to the desired value with the ▲ ▼ buttons.



Regulator with built-in pressure switch

Series AR/AW□/ARM/AC

Variation



- Filter regulator AW20 to 60
- Mist separator regulator AWM20 to 40
- Micro mist separator regulator AWD20 to 40



● Manifold regulator ARM10/11

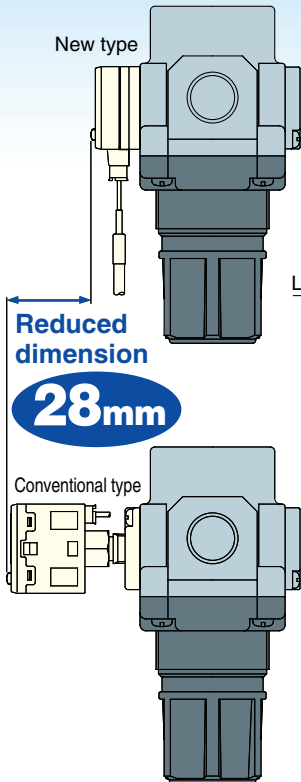


● Regulator AR20 to 60

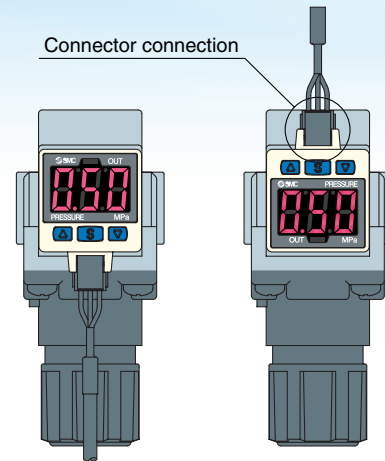


- F.R.L. combination
 - AC20 to 60 (AF + AR + AL)
 - AC20A to 60A (AW + AL)
 - AC20B to 60B (AF + AR)
 - AC20C to 40C (AF + AFM + AR)
 - AC20D to 40D (AW + AFM)

Space saving

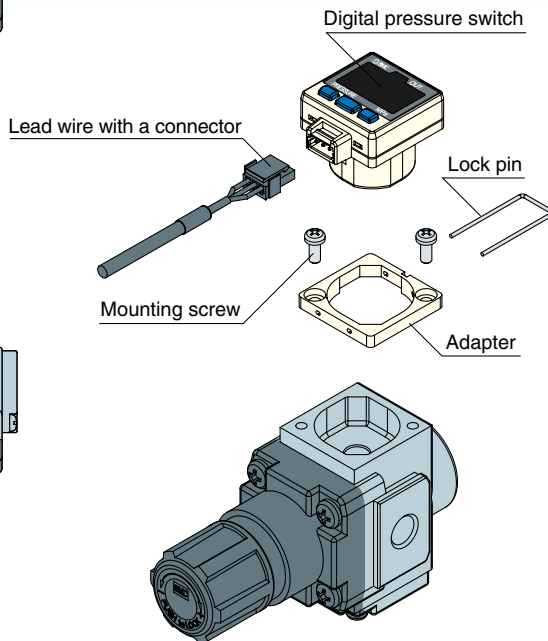


Electrical entry direction selectable



Switch replaceable

Switches can be replaced by pulling out the lock pin.



Digital Pressure Switch Specifications

Rated pressure range	0 to 1 MPa
Set pressure range	-0.1 to 1 MPa
Withstand pressure	1.5 MPa
Set pressure resolution	0.01 MPa
Applicable fluid	Air
Power supply voltage	12 to 24 V DC
Switch output	NPN or PNP 1 output
Standards	CE marking, UL/CSA

SMC Corporation

1-16-4 Shimbashi, Minato-ku, Tokyo 105-8659 JAPAN
 Tel: 03-3502-2740 Fax: 03-3508-2480
 URL <http://www.smcworld.com>
 © 2005 SMC Corporation All Rights Reserved

Specifications are subject to change without prior notice and any obligation on the part of the manufacturer.

D-KS

1st printing JW printing JW 130KS Printed in Japan.

This catalog is printed on recycled paper with concern for the global environment.